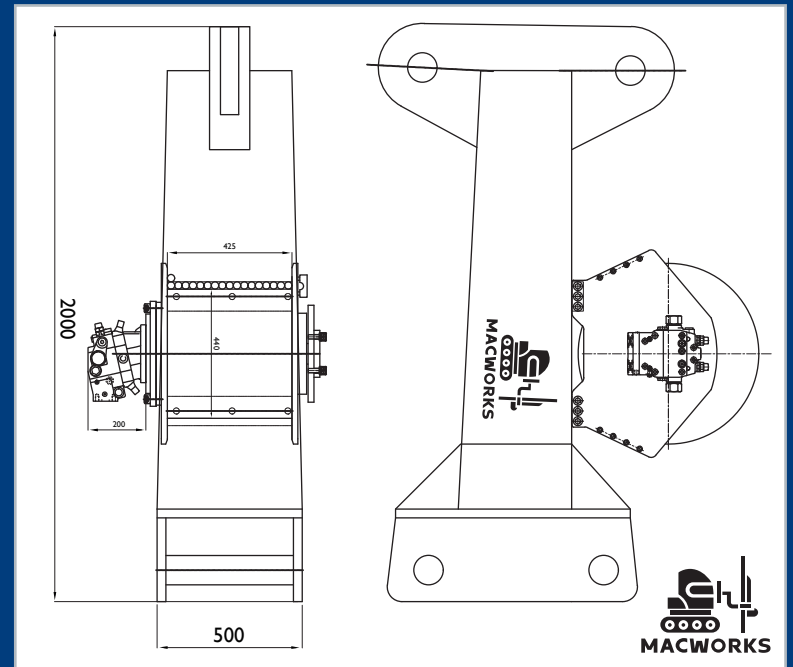
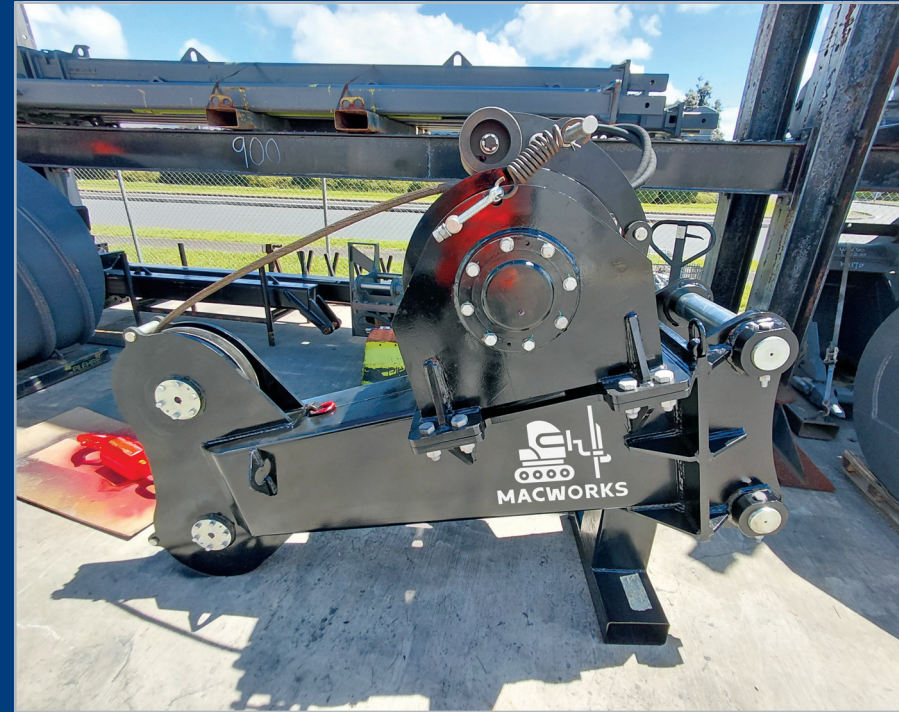


Winch Beaks

Macworks winch beaks up to 9-ton - turn your excavator into a crane. Macworks winches are designed to your specifications. Length and weight can be modified to suit your needs. Lifting certification provided.



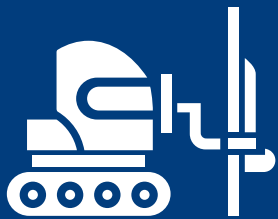
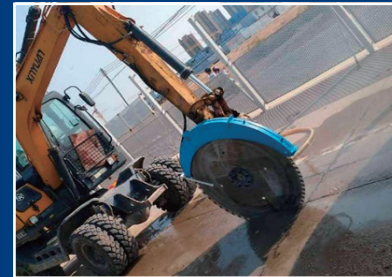
MACWORKS
DRILLING AND MACHINE ATTACHMENTS

0800 MACWORKS

sales@macworks.nz

www.macworks.nz





MACWORKS

DRILLING AND MACHINE ATTACHMENTS

0800 MACWORKS
0800 622 96757

sales@macworks.nz

www.macworks.nz

While efforts have been made to ensure accuracy, Macworks is not bound by accidental misdescriptions within this catalogue. Specifications are defined by core technical intent, not by typographical inconsistencies. If you have any questions, feel free to speak with a Macworks representative.